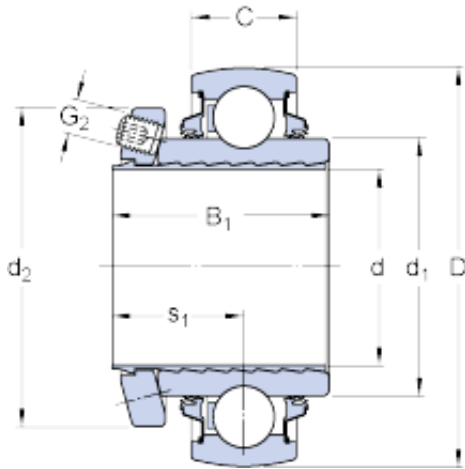




# BEARINGS(UK)LTD.



YSPAG 206-103 Bearing 2D drawings and 3D CAD models

## skf YSPAG 206-103 Insert bearings (Y-bearings)

Bearing No. YSPAG 206-103

Size	62x30.162x37 mm
Bore Diameter	62 mm
Outer Diameter	30,162 mm
Width	37 mm
d	30.162 mm
D	62 mm
B <sub>1</sub>	37 mm
C	18 mm
d <sub>1</sub>	39.7 mm
d <sub>2</sub>	48 mm
s <sub>1</sub>	23 mm
Basic dynamic load rating - C	19.5 kN
Basic static load rating - C <sub>0</sub>	11.2 kN
Fatigue load limit - P <sub>u</sub>	0.475 kN
Limiting speed	1200 r/min
Calculation factor - f <sub>0</sub>	14
Mass bearing	0.29 kg
Thread - G <sub>2</sub>	M5
Hexagonal key size for grub screw - H	2.5 mm
Recommended tightening torque for grub screw	4.2 N · m
B <sub>1</sub>	37.2 mm
d <sub>1</sub>	39.7 mm
d <sub>2</sub>	48 mm



## BEARINGS(UK)LTD.

$s_1$	23.2 mm
Basic dynamic load rating C	19.5 kN
Basic static load rating $C_0$	11.2 kN
Fatigue load limit $P_u$	0.475 kN
Limiting speed <sup>1)</sup>	1200 r/min
Calculation factor $f_0$	14
Mass complete bearing	0.3 kg
Thread grub screw $G_2$	M5
Hexagonal key size for grub screw N	2.54 mm