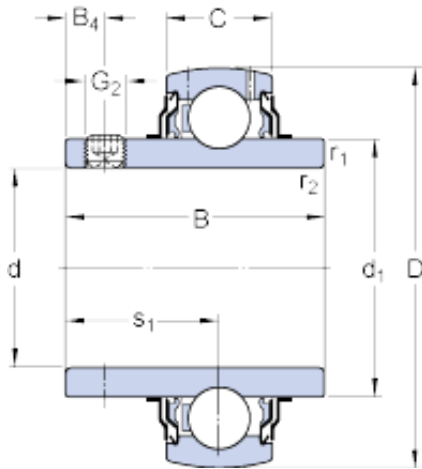




## BEARINGS(UK)LTD.



70 mm x 125 mm x 69.9 mm skf YAR 214-2F  
Insert bearings (Y-bearings)

Bearing No. YAR 214-2F

Size	125x70x69.9 mm
Bore Diameter	125 mm
Outer Diameter	70 mm
Width	69,9 mm
d	70 mm
D	125 mm
B	69.9 mm
C	28 mm
d <sub>1</sub>	87.05 mm
B <sub>4</sub>	12 mm
r <sub>1,2</sub> - min.	1.5 mm
s <sub>1</sub>	39.7 mm
Basic dynamic load rating - C	62.4 kN
Basic static load rating - C <sub>0</sub>	45 kN
Fatigue load limit - P <sub>u</sub>	1.9 kN
Limiting speed with shaft tolerance h6	2800 r/min
Calculation factor - f <sub>0</sub>	15
Mass bearing	1.9 kg
Thread - G <sub>2</sub>	M10x1
Hexagonal key size for grub screw - H	5 mm
Category	Insert Bearings Spherical OD
Inventory	0.0

YAR 214-2F Bearing 2D drawings and 3D CAD models



## BEARINGS(UK)LTD.

Manufacturer Name	SKF
Minimum Buy Quantity	N/A
Weight / Kilogram	1.85
EAN	7316570979091
Product Group	M06110
Inner Race Profile	Wide Inner Ring
Outer Race Profile	Spherical
Relubricatable	Yes
Seal Type	M Seal
Mounting Method	Set Screw
Rolling Element	Ball Bearing
Snap Ring	No
Long Description	70MM Bore; Wide Inner Ring; Ball Bearing; 69.9MM Length Thru Bore; 28MM Outer Race Width; 125MM Outside Diameter; Relubricatable; M Seal Seal; Set Screw Mounting Method; No Snap Ring
Inch - Metric	Metric
Other Features	Single Row   Medium Duty   Grub Screw   Has Flinger   Metric
Category	Insert Bearings
UNSPSC	31171536
Harmonized Tariff Code	8482.10.50.00
Noun	Bearing
Keyword String	Insert
Manufacturer URL	<a href="http://www.skf.com">http://www.skf.com</a>
Manufacturer Item Number	YAR 214-2F
Weight / LBS	4.19
Length Thru Bore	2.752 Inch   69.9 Millimeter
Outside Diameter	4.921 Inch   125 Millimeter
Outer Race Width	1.102 Inch   28 Millimeter



## BEARINGS(UK)LTD.

Bore	2.756 Inch   70 Millimeter
$d_1$	87.05 mm
$B_4$	12 mm
$r_{1,2}$ min.	1.5 mm
$s_1$	39.7 mm
Basic dynamic load rating C	62.4 kN
Basic static load rating $C_0$	45 kN
Fatigue load limit $P_u$	1.86 kN
Limiting speed <sup>1)</sup>	2800 r/min
Calculation factor $f_0$	15
Mass complete bearing	1.95 kg
Thread grub screw $G_2$	M10x1
Hexagonal key size for grub screw N	5 mm
Recommended tightening torque for grub screw	16.5 N · m