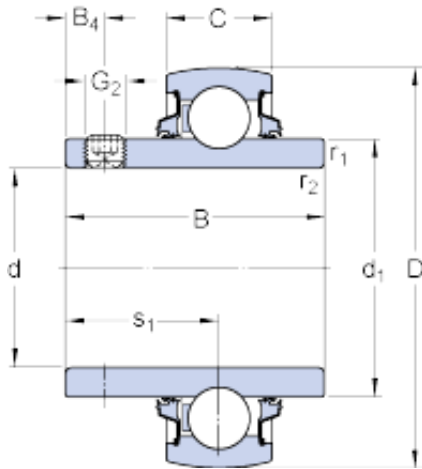




## BEARINGS(UK)LTD.



41.275 mm x 85 mm x 49.2 mm skf YARAG  
209-110 Insert bearings (Y-bearings)

Bearing No. YARAG 209-110

Size	85x41.275x49.2 mm
Bore Diameter	85 mm
Outer Diameter	41,275 mm
Width	49,2 mm
d	41.275 mm
D	85 mm
B	49.2 mm
C	22 mm
d <sub>1</sub>	56.8 mm
B <sub>4</sub>	8 mm
r <sub>1,2</sub> - min.	1 mm
s <sub>1</sub>	30.2 mm
Basic dynamic load rating - C	33.2 kN
Basic static load rating - C <sub>0</sub>	21.6 kN
Fatigue load limit - P <sub>u</sub>	0.915 kN
Limiting speed with shaft tolerance h6	850 r/min
Calculation factor - f <sub>0</sub>	14
Mass bearing	0.79 kg
Thread - G <sub>2</sub> - 5/16-24 UNF	5/1624 UNF
Hexagonal key size for grub screw - H	3.969 mm
d <sub>1</sub>	56.8 mm
B <sub>4</sub>	8 mm

YARAG 209-110 Bearing 2D drawings and 3D CAD models



## BEARINGS(UK)LTD.

$r_{1,2}$ min.	1 mm
$s_1$	30.2 mm
Basic dynamic load rating C	33.2 kN
Basic static load rating $C_0$	21.6 kN
Fatigue load limit $P_u$	0.915 kN
Limiting speed <sup>1)</sup>	850 r/min
Calculation factor $f_0$	14
Mass complete bearing	0.75 kg
Thread grub screw $G_2$	5/16-24 UNF
Hexagonal key size for grub screw N	3.969 mm
Recommended tightening torque for grub screw	6.5 N · m