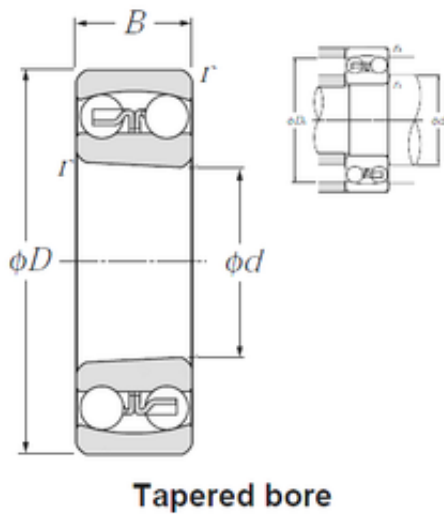




BEARINGS(UK)LTD.



80 mm x 170 mm x 58 mm NTN 2316SK Double row self aligning ball bearings

Bearing No. 2316SK

2316SK Bearing 2D drawings and 3D CAD models

Size	80x170x58 mm
Bore Diameter	80 mm
Outer Diameter	170 mm
Width	58 mm
d	80 mm
D	170 mm
B	58 mm
C	58 mm
r min.	2,1 mm
da min.	91 mm
Da max.	159 mm
ra max.	2 mm
Weight	5,54 Kg
Basic dynamic load rating (C)	130 kN
Basic static load rating (C0)	45 kN
(Grease) Lubrication Speed	3 200 r/min
(Oil) Lubrication Speed	4 000 r/min
Calculation factor (e)	0,39
Calculation factor (Y0)	1,7
Calculation factor (Y1)	1,6
B1	59 mm
rs min	2.1 mm
Associated sleeve reference	H2316X
e	0.39
Y1	1.6



BEARINGS(UK)LTD.

Y2	2.5
Y0	1.7
Radial clearance class	CN
Precision class	P0
Mass	5.54 kg
Dynamic load, C	130 kN
Static load, C0	45 kN
Nlim (oil)	4,000 rpm
Nlim (grease)	3,200 rpm
Min operating temperature, Tmin	-20 ° C
Max operating temperature, Tmax	120 ° C
da min	91 mm
da max	103 mm
db min	87 mm
Ce min	5 mm
Da max	159 mm
ra max	2 mm