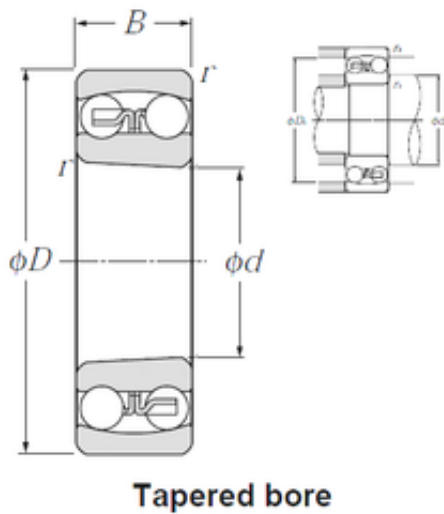




BEARINGS(UK)LTD.



85 mm x 180 mm x 60 mm NTN 2317SK Double row self aligning ball bearings

Bearing No. 2317SK

2317SK Bearing 2D drawings and 3D CAD models

| | |
|-------------------------------|--------------|
| Size | 85x180x60 mm |
| Bore Diameter | 85 mm |
| Outer Diameter | 180 mm |
| Width | 60 mm |
| d | 85 mm |
| D | 180 mm |
| B | 60 mm |
| C | 60 mm |
| r min. | 3 mm |
| da min. | 98 mm |
| Da max. | 167 mm |
| ra max. | 2,5 mm |
| Weight | 6,56 Kg |
| Basic dynamic load rating (C) | 142 kN |
| Basic static load rating (C0) | 51,5 kN |
| (Grease) Lubrication Speed | 3 000 r/min |
| (Oil) Lubrication Speed | 3 800 r/min |
| Calculation factor (e) | 0,37 |
| Calculation factor (Y0) | 1,8 |
| Calculation factor (Y1) | 1,7 |
| rs min | 3 mm |
| Associated sleeve reference | H2317X |
| e | 0.37 |
| Y1 | 1.7 |
| Y2 | 2.6 |



BEARINGS(UK)LTD.

| | |
|------------------------------------|-----------|
| Y0 | 1.8 |
| Radial clearance class | CN |
| Precision class | P0 |
| Mass | 6.56 kg |
| Dynamic load, C | 142 kN |
| Static load, C0 | 51.5 kN |
| Nlim (oil) | 3,800 rpm |
| Nlim (grease) | 3,000 rpm |
| Min operating temperature, Tmin | -20 ° C |
| Max operating temperature, Tmax | 120 ° C |
| da min | 98 mm |
| da max | 110 mm |
| db min | 94 mm |
| Ce min | 6 mm |
| Da max | 167 mm |
| ra max | 2.5 mm |