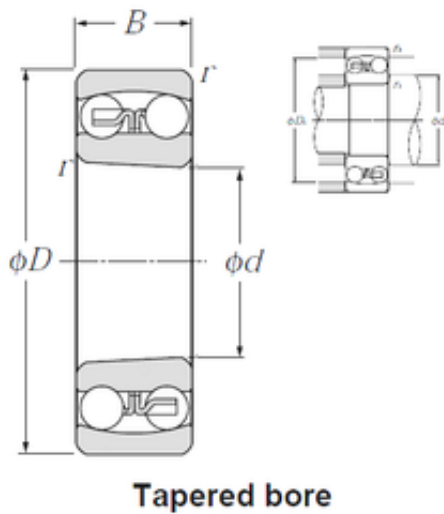




## BEARINGS(UK)LTD.



### 65 mm x 140 mm x 48 mm NTN 2313SK Double row self aligning ball bearings

Bearing No. 2313SK

Size	65x140x48 mm
Bore Diameter	65 mm
Outer Diameter	140 mm
Width	48 mm
d	65 mm
D	140 mm
B	48 mm
C	48 mm
r min.	2,1 mm
da min.	76 mm
Da max.	129 mm
ra max.	2 mm
Weight	3,2 Kg
Basic dynamic load rating (C)	97 kN
Basic static load rating (C0)	32,5 kN
(Grease) Lubrication Speed	3 800 r/min
(Oil) Lubrication Speed	4 800 r/min
Calculation factor (e)	0,39
Calculation factor (Y0)	1,7
Calculation factor (Y1)	1,6
rs min	2.1 mm
Associated sleeve reference	H2313X
e	0.39
Y1	1.6
Y2	2.5

2313SK Bearing 2D drawings and 3D CAD models



## BEARINGS(UK)LTD.

Y0	1.7
Radial clearance class	CN
Precision class	P0
Mass	3.2 kg
Dynamic load, C	97 kN
Static load, C0	32.5 kN
Nlim (oil)	4,800 rpm
Nlim (grease)	3,800 rpm
Min operating temperature, Tmin	-20 ° C
Max operating temperature, Tmax	120 ° C
da min	76 mm
da max	84 mm
db min	72 mm
Ce min	5 mm
Da max	129 mm
ra max	2 mm