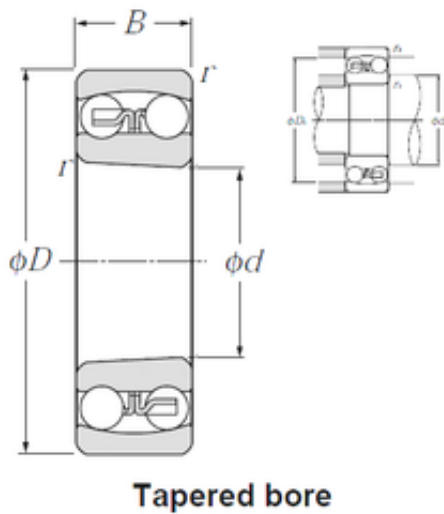




BEARINGS(UK)LTD.



45 mm x 100 mm x 36 mm NTN 2309SK Double row self aligning ball bearings

Bearing No. 2309SK

2309SK Bearing 2D drawings and 3D CAD models

Size	45x100x36 mm
Bore Diameter	45 mm
Outer Diameter	100 mm
Width	36 mm
d	45 mm
D	100 mm
B	36 mm
C	36 mm
r min.	1,5 mm
da min.	53 mm
Da max.	92 mm
ra max.	1,5 mm
Weight	1,2 Kg
Basic dynamic load rating (C)	55 kN
Basic static load rating (C0)	16,7 kN
(Grease) Lubrication Speed	5 600 r/min
(Oil) Lubrication Speed	7 100 r/min
Calculation factor (e)	0,41
Calculation factor (Y0)	1,6
Calculation factor (Y1)	1,5
rs min	1.5 mm
Associated sleeve reference	H2309X
e	0.41
Y1	1.5
Y2	2.4



BEARINGS(UK)LTD.

Y0	1.6
Radial clearance class	CN
Precision class	P0
Mass	1.2 kg
Dynamic load, C	55 kN
Static load, C0	16.7 kN
Nlim (oil)	7,100 rpm
Nlim (grease)	5,600 rpm
Min operating temperature, Tmin	-20 ° C
Max operating temperature, Tmax	120 ° C
da min	53 mm
da max	58 mm
db min	50 mm
Ce min	5 mm
Da max	92 mm
ra max	1.5 mm