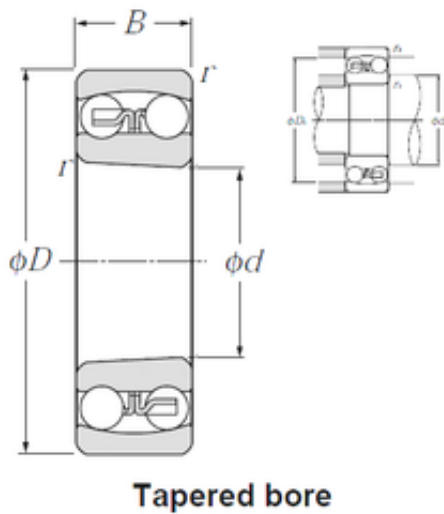




BEARINGS(UK)LTD.



30 mm x 72 mm x 27 mm NTN 2306SK Double row self aligning ball bearings

Bearing No. 2306SK

2306SK Bearing 2D drawings and 3D CAD models

Size	30x72x27 mm
Bore Diameter	30 mm
Outer Diameter	72 mm
Width	27 mm
d	30 mm
D	72 mm
B	27 mm
C	27 mm
r min.	1,1 mm
da min.	36,5 mm
Da max.	65,5 mm
ra max.	1 mm
Weight	0,48 Kg
Basic dynamic load rating (C)	32 kN
Basic static load rating (C0)	8,75 kN
(Grease) Lubrication Speed	8 000 r/min
(Oil) Lubrication Speed	10 000 r/min
Calculation factor (e)	0,44
Calculation factor (Y0)	1,5
Calculation factor (Y1)	1,4
rs min	1.1 mm
Associated sleeve reference	H2306X
e	0.44
Y1	1.4
Y2	2.2



BEARINGS(UK)LTD.

Y0	1.5
Radial clearance class	CN
Precision class	P0
Mass	0.48 kg
Dynamic load, C	32 kN
Static load, C0	8.75 kN
Nlim (oil)	10,000 rpm
Nlim (grease)	8,000 rpm
Min operating temperature, Tmin	-20 ° C
Max operating temperature, Tmax	120 ° C
da min	36.5 mm
da max	40 mm
db min	35 mm
Ce min	5 mm
Da max	65.5 mm
ra max	1 mm