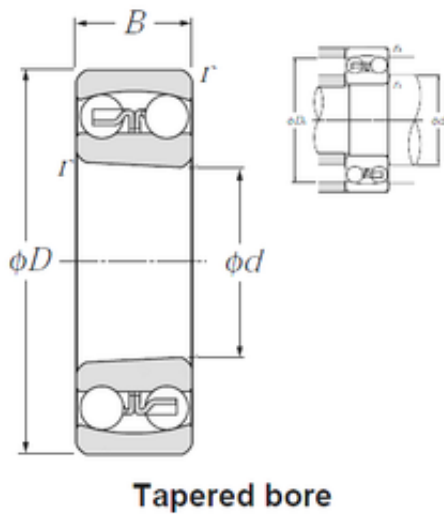




BEARINGS(UK)LTD.



30 mm x 62 mm x 20 mm NTN 2206SK Double row self aligning ball bearings

Bearing No. 2206SK

2206SK Bearing 2D drawings and 3D CAD models

Size	30x62x20 mm
Bore Diameter	30 mm
Outer Diameter	62 mm
Width	20 mm
d	30 mm
D	62 mm
B	20 mm
C	20 mm
r min.	1 mm
da min.	35 mm
Da max.	57 mm
ra max.	1 mm
Weight	0,249 Kg
Basic dynamic load rating (C)	15,3 kN
Basic static load rating (C0)	4,55 kN
(Grease) Lubrication Speed	10 000 r/min
(Oil) Lubrication Speed	12 000 r/min
Calculation factor (e)	0,38
Calculation factor (Y0)	1,7
Calculation factor (Y1)	1,6
rs min	1 mm
Associated sleeve reference	H306X
e	0.38
Y1	1.6
Y2	2.5



BEARINGS(UK)LTD.

Y0	1.7
Radial clearance class	CN
Precision class	P0
Mass	0.25 kg
Dynamic load, C	15.3 kN
Static load, C0	4.55 kN
Nlim (oil)	12,000 rpm
Nlim (grease)	10,000 rpm
Min operating temperature, Tmin	-20 ° C
Max operating temperature, Tmax	120 ° C
da min	35 mm
da max	39 mm
db min	34 mm
Ce min	5 mm
Da max	57 mm
ra max	1 mm