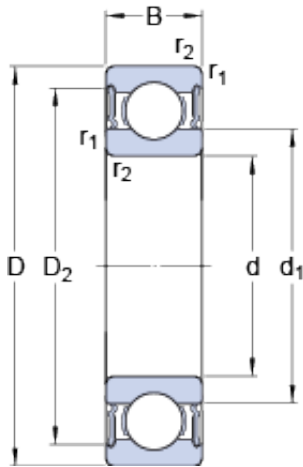




BEARINGS(UK)LTD.



150 mm x 225 mm x 35 mm skf 6030-2RS1 Deep groove ball bearings

Bearing No. 6030-2RS1

6030-2RS1 Bearing 2D drawings and 3D CAD models

Size	225x150x35 mm
Bore Diameter	225 mm
Outer Diameter	150 mm
Width	35 mm
d	150 mm
D	225 mm
B	35 mm
d ₁	174.15 mm
D ₂	205.3 mm
r _{1,2} - min.	2.1 mm
d _a - min.	160 mm
d _a - max.	173.9 mm
D _a - max.	215 mm
r _a - max.	2 mm
Basic dynamic load rating - C	125 kN
Basic static load rating - C ₀	125 kN
Fatigue load limit - P _u	3.9 kN
Limiting speed	1700 r/min
Calculation factor - k _r	0.025
Calculation factor - f ₀	15.9
Category	Single Row Ball Bearings
Inventory	0.0
Manufacturer Name	SKF
Minimum Buy Quantity	N/A



BEARINGS(UK)LTD.

Weight / Kilogram	4.37
Product Group	B00308
Enclosure	2 Seals
Precision Class	ABEC 1 ISO P0
Maximum Capacity / Filling Slot	No
Rolling Element	Ball Bearing
Snap Ring	No
Internal Special Features	No
Cage Material	Steel
Enclosure Type	Contact Seal
Internal Clearance	C0-Medium
Inch - Metric	Metric
Long Description	150MM Bore; 225MM Outside Diameter; 35MM Outer Race Diameter; 2 Seals; Ball Bearing; ABEC 1 ISO P0; No Filling Slot; No Snap Ring; No Internal Special Features
Category	Single Row Ball Bearing
UNSPSC	31171504
Harmonized Tariff Code	8482.10.50.68
Noun	Bearing
Keyword String	Ball
Manufacturer URL	http://www.skf.com
Manufacturer Item Number	6030-2RS1
Weight / LBS	9.63
Outside Diameter	8.858 Inch 225 Millimeter
Bore	5.906 Inch 150 Millimeter
Outer Race Width	1.378 Inch 35 Millimeter
bore diameter:	150 mm
static load capacity:	125 kN
outside diameter:	225 mm



BEARINGS(UK)LTD.

precision rating:	Not Rated
overall width:	35 mm
finish/coating:	Uncoated
bore type:	Round
cage material:	Steel
closure type:	Double Sealed
outer ring width:	35 mm
row type & fill slot:	Single Row Non-Fill Slot
fillet radius:	2 mm
internal clearance:	C0
maximum rpm:	1700 RPM
operating temperature range:	-40 to +210 ° F
series:	60
dynamic load capacity:	125 kN
d_1	174.15 mm
D_2	205.3 mm
$r_{1,2}$ min.	2.1 mm
d_a min.	160 mm
d_a max.	173.9 mm
D_a max.	215 mm
r_a max.	2 mm
Basic dynamic load rating C	125 kN
Basic static load rating C_0	125 kN
Fatigue load limit P_u	3.9 kN
Calculation factor k_r	0.025
Calculation factor f_0	15.9
Mass bearing	4.33 kg