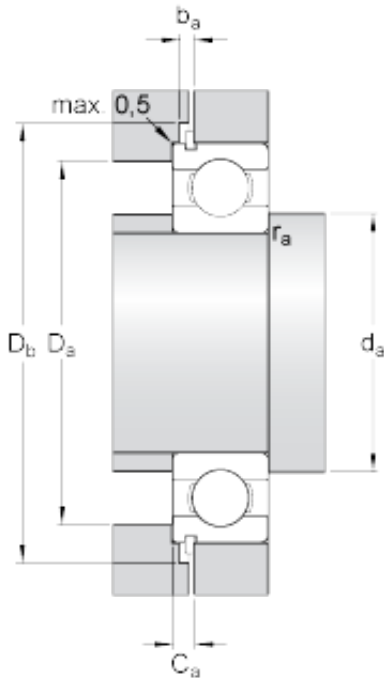




## BEARINGS(UK)LTD.

55 mm x 140 mm x 33 mm skf 6411 N Deep groove ball bearings

Bearing No. 6411 N



6411 N Bearing 2D drawings and 3D CAD models

d	55 mm
D	140 mm
B	33 mm
$d_1$	81.58 mm
$D_1$	113.15 mm
$D_3$	135.23 mm
b	3.1 mm
C	4.9 mm
$r_0$ max.	0.6 mm
$r_{1,2}$ min.	2.1 mm
$d_a$ min.	69 mm
$D_a$ max.	126 mm
$D_b$ min.	151 mm
$b_a$ min.	3.5 mm
$C_a$ max.	7.72 mm
$r_a$ max.	2 mm
Basic dynamic load rating C	99.5 kN
Basic static load rating $C_0$	62 kN
Fatigue load limit $P_u$	2.6 kN
Reference speed	11000 r/min
Limiting speed	7000 r/min
Calculation factor $k_r$	0.035
Calculation factor $f_0$	12
Mass bearing	2.33 kg