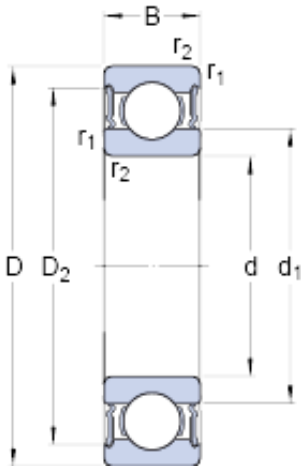




BEARINGS(UK)LTD.



61818-2RS1 Bearing 2D drawings and 3D CAD models

90 mm x 115 mm x 13 mm skf 61818-2RS1 Deep groove ball bearings

Bearing No. 61818-2RS1

Size	115x90x13 mm
Bore Diameter	115 mm
Outer Diameter	90 mm
Width	13 mm
d	90 mm
D	115 mm
B	13 mm
d ₁	98.3 mm
D ₂	109.5 mm
r _{1,2} - min.	1 mm
d _a - min.	94.6 mm
d _a - max.	98.1 mm
D _a - max.	110 mm
r _a - max.	1 mm
Basic dynamic load rating - C	19.5 kN
Basic static load rating - C ₀	17 kN
Fatigue load limit - P _u	0.915 kN
Limiting speed	3200 r/min
Calculation factor - k _r	0.015
Calculation factor - f ₀	13.4
Category	Single Row Ball Bearings
Inventory	0.0
Manufacturer Name	SKF
Minimum Buy Quantity	N/A



BEARINGS(UK)LTD.

Weight / Kilogram	0.303
EAN	7316576639388
Product Group	B00308
Enclosure	2 Seals
Precision Class	ABEC 1 ISO P0
Maximum Capacity / Filling Slot	No
Rolling Element	Ball Bearing
Snap Ring	No
Internal Special Features	No
Cage Material	Steel
Enclosure Type	Contact Seal
Internal Clearance	C0-Medium
Inch - Metric	Metric
Long Description	90MM Bore; 115MM Outside Diameter; 13MM Outer Race Diameter; 2 Seals; Ball Bearing; ABEC 1 ISO P0; No Filling Slot; No Snap Ring; No Internal Special Features
Category	Single Row Ball Bearing
UNSPSC	31171504
Harmonized Tariff Code	8482.10.50.68
Noun	Bearing
Keyword String	Ball
Manufacturer URL	http://www.skf.com
Manufacturer Item Number	61818 2RS1
Weight / LBS	0.67
Outside Diameter	4.528 Inch 115 Millimeter
Bore	3.543 Inch 90 Millimeter
Outer Race Width	0.512 Inch 13 Millimeter
bore diameter:	90 mm
static load capacity:	22 kN



BEARINGS(UK)LTD.

outside diameter:	115 mm
precision rating:	Not Rated
overall width:	13 mm
finish/coating:	Uncoated
bore type:	Round
cage material:	Steel
closure type:	Double Sealed
outer ring width:	13 mm
row type & fill slot:	Single Row Non-Fill Slot
fillet radius:	1 mm
internal clearance:	C0
maximum rpm:	3200 RPM
operating temperature range:	-40 to +210 ° F
series:	61
dynamic load capacity:	19.5 kN
d_1	98.3 mm
D_2	109.5 mm
$r_{1,2}$ min.	1 mm
d_a min.	94.6 mm
d_a max.	98.1 mm
D_a max.	110 mm
r_a max.	1 mm
Basic dynamic load rating C	19.5 kN
Basic static load rating C_0	17 kN
Fatigue load limit P_u	0.915 kN
Calculation factor k_r	0.015
Calculation factor f_0	13.4
Mass bearing	0.29 kg