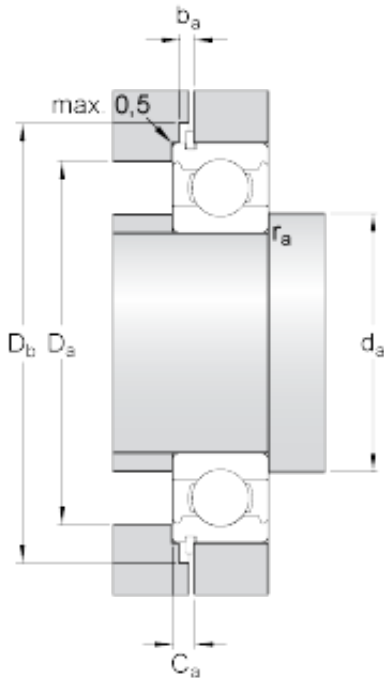




BEARINGS(UK)LTD.

65 mm x 140 mm x 33 mm skf 6313 N Deep groove ball bearings

Bearing No. 6313 N



6313 N Bearing 2D drawings and 3D CAD models

d	65 mm
D	140 mm
B	33 mm
d_1	88.35 mm
D_2	121.3 mm
D_3	135.23 mm
b	3.1 mm
C	4.9 mm
r_0 max.	0.6 mm
$r_{1,2}$ min.	2.1 mm
d_a min.	77 mm
D_a max.	128 mm
D_b min.	151 mm
b_a min.	3.5 mm
C_a max.	7.72 mm
r_a max.	2 mm
Basic dynamic load rating C	97.5 kN
Basic static load rating C_0	60 kN
Fatigue load limit P_u	2.5 kN
Reference speed	10000 r/min
Limiting speed	6700 r/min
Calculation factor k_r	0.03
Calculation factor f_0	13.2
Mass bearing	2.09 kg