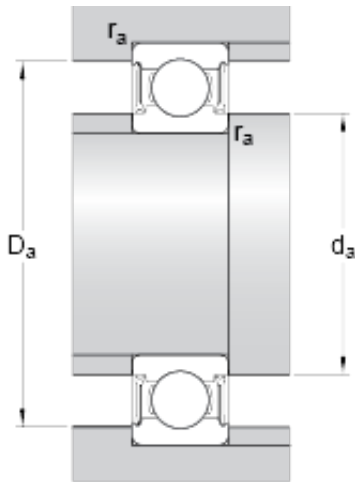




BEARINGS(UK)LTD.



5 mm x 19 mm x 6 mm skf W 635-2RZ Deep groove ball bearings

Bearing No. W 635-2RZ

d	5 mm
D	19 mm
B	6 mm
d ₂	8.5 mm
D ₂	16.5 mm
r _{1,2} min.	0.3 mm
d _a min.	7 mm
d _a max.	8.4 mm
D _a max.	17 mm
r _a max.	0.3 mm
Basic dynamic load rating C	2.03 kN
Basic static load rating C ₀	0.88 kN
Fatigue load limit P _u	0.038 kN
Reference speed	85000 r/min
Limiting speed	43000 r/min
Calculation factor k _r	0.035
Calculation factor f ₀	12.1
Mass bearing	0.0081 kg

W 635-2RZ Bearing 2D drawings and 3D CAD models