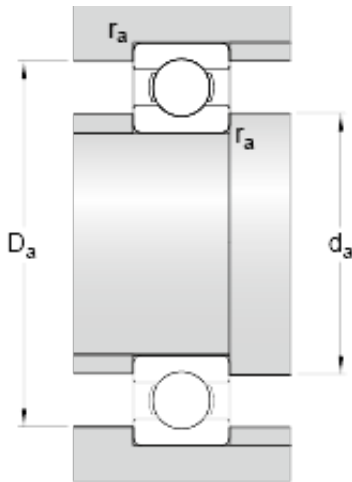




## BEARINGS(UK)LTD.



710 mm x 950 mm x 78 mm skf 609/710 MA  
Deep groove ball bearings

Bearing No. 609/710 MA

d	710 mm
D	950 mm
B	78 mm
d <sub>1</sub>	795.7 mm
D <sub>1</sub>	864.3 mm
r <sub>1,2</sub> min.	5 mm
d <sub>a</sub> min.	728 mm
D <sub>a</sub> max.	932 mm
r <sub>a</sub> max.	4 mm
Basic dynamic load rating C	559 kN
Basic static load rating C <sub>0</sub>	1290 kN
Fatigue load limit P <sub>u</sub>	19 kN
Reference speed	1100 r/min
Limiting speed	900 r/min
Calculation factor k <sub>r</sub>	0.02
Calculation factor f <sub>0</sub>	17.2
Mass bearing	167 kg

609/710 MA Bearing 2D drawings and 3D CAD models