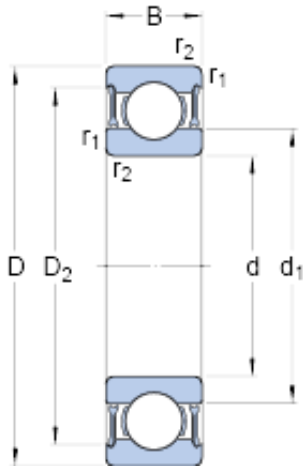




BEARINGS(UK)LTD.



15.875 mm x 34.925 mm x 8.733 mm skf D/W
R10-2RZ Deep groove ball bearings

Bearing No. D/W R10-2RZ

D/W R10-2RZ Bearing 2D drawings and 3D CAD models

Size	34.925x15.875x8.733 mm
Bore Diameter	34,925 mm
Outer Diameter	15,875 mm
Width	8,733 mm
d	15.875 mm
D	34.925 mm
B	8.733 mm
d ₁	23.5 mm
D ₂	31.43 mm
r _{1,2} - min.	0.8 mm
d _a - min.	21 mm
D _a - max.	31 mm
r _a - max.	0.8 mm
Basic dynamic load rating - C	4.9 kN
Basic static load rating - C ₀	3.2 kN
Fatigue load limit - P _u	0.137 kN
Reference speed	40000 r/min
Limiting speed	20000 r/min
Calculation factor - k _r	0.025
Calculation factor - f ₀	14.1
d ₁	23.5 mm
d ₂	21.5 mm
D ₂	30.8 mm
r _{1,2} min.	0.8 mm



BEARINGS(UK)LTD.

d_a min.	20.5 mm
d_a max.	21 mm
D_a max.	31 mm
r_a max.	0.8 mm
Basic dynamic load rating C	4.94 kN
Basic static load rating C_0	3.15 kN
Fatigue load limit P_u	0.137 kN
Calculation factor k_r	0.025
Calculation factor f_0	14.1
Mass bearing	0.036 kg