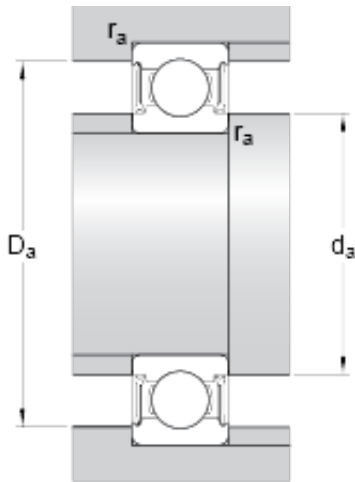




## BEARINGS(UK)LTD.



4 mm x 13 mm x 5 mm skf W 624-2RZ Deep groove ball bearings

Bearing No. W 624-2RZ

d	4 mm
D	13 mm
B	5 mm
d <sub>2</sub>	6 mm
D <sub>2</sub>	11.35 mm
r <sub>1,2</sub> min.	0.2 mm
d <sub>a</sub> min.	5.6 mm
d <sub>a</sub> max.	5.9 mm
D <sub>a</sub> max.	11.4 mm
r <sub>a</sub> max.	0.2 mm
Basic dynamic load rating C	0.741 kN
Basic static load rating C <sub>0</sub>	0.25 kN
Fatigue load limit P <sub>u</sub>	0.011 kN
Reference speed	110000 r/min
Limiting speed	56000 r/min
Calculation factor k <sub>r</sub>	0.03
Calculation factor f <sub>0</sub>	6.4
Mass bearing	0.0031 kg

W 624-2RZ Bearing 2D drawings and 3D CAD models