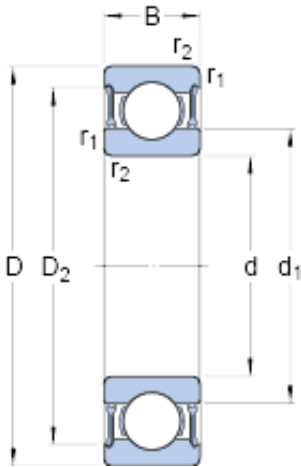




BEARINGS(UK)LTD.



61906-2RZ Bearing 2D drawings and 3D CAD models

30 mm x 47 mm x 9 mm skf 61906-2RZ Deep groove ball bearings

Bearing No. 61906-2RZ

| | |
|---|--------------------------|
| Size | 47x30x9 mm |
| Bore Diameter | 47 mm |
| Outer Diameter | 30 mm |
| Width | 9 mm |
| d | 30 mm |
| D | 47 mm |
| B | 9 mm |
| d ₁ | 35.25 mm |
| D ₂ | 42.7 mm |
| r _{1,2} - min. | 0.3 mm |
| d _a - min. | 32 mm |
| d _a - max. | 35.1 mm |
| D _a - max. | 45 mm |
| r _a - max. | 0.3 mm |
| Basic dynamic load rating - C | 7.3 kN |
| Basic static load rating - C ₀ | 4.6 kN |
| Fatigue load limit - P _u | 0.212 kN |
| Reference speed | 30000 r/min |
| Limiting speed | 15000 r/min |
| Calculation factor - k _r | 0.02 |
| Calculation factor - f ₀ | 14.4 |
| Category | Single Row Ball Bearings |
| Inventory | 17.0 |
| Manufacturer Name | SKF |



BEARINGS(UK)LTD.

| | |
|---------------------------------|--|
| Minimum Buy Quantity | N/A |
| Weight / Kilogram | 0.053 |
| EAN | 7316576639289 |
| Product Group | B00308 |
| Enclosure | 2 Seals |
| Precision Class | ABEC 1 ISO P0 |
| Maximum Capacity / Filling Slot | No |
| Rolling Element | Ball Bearing |
| Snap Ring | No |
| Internal Special Features | No |
| Cage Material | Steel |
| Enclosure Type | Non-Contact Seal |
| Internal Clearance | C0-Medium |
| Inch - Metric | Metric |
| Long Description | 30MM Bore; 47MM Outside Diameter; 9MM Outer Race Diameter; 2 Seals; Ball Bearing; ABEC 1 ISO P0; No Filling Slot; No Snap Ring; No Internal Special Features |
| Category | Single Row Ball Bearing |
| UNSPSC | 31171504 |
| Harmonized Tariff Code | 8482.10.50.68 |
| Noun | Bearing |
| Keyword String | Ball |
| Manufacturer URL | http://www.skf.com |
| Manufacturer Item Number | 61906-2RZ |
| Weight / LBS | 0.117 |
| Outside Diameter | 1.85 Inch 47 Millimeter |
| Bore | 1.181 Inch 30 Millimeter |
| Outer Race Width | 0.354 Inch 9 Millimeter |
| bore diameter: | 30 mm |
| | |



BEARINGS(UK)LTD.

| | |
|--------------------------------|--------------------------|
| static load capacity: | 4.55 kN |
| outside diameter: | 47 mm |
| precision rating: | Not Rated |
| overall width: | 9 mm |
| finish/coating: | Uncoated |
| bore type: | Round |
| cage material: | Steel |
| closure type: | Double Sealed |
| outer ring width: | 9 mm |
| row type & fill slot: | Single Row Non-Fill Slot |
| fillet radius: | 0.3 mm |
| internal clearance: | C0 |
| maximum rpm: | 15000 RPM |
| operating temperature range: | -40 to +210 ° F |
| series: | 61 |
| dynamic load capacity: | 7.28 kN |
| d_1 | 35.25 mm |
| D_2 | 42.7 mm |
| $r_{1,2}$ min. | 0.3 mm |
| d_a min. | 32 mm |
| d_a max. | 35.1 mm |
| D_a max. | 45 mm |
| r_a max. | 0.3 mm |
| Basic dynamic load rating C | 7.28 kN |
| Basic static load rating C_0 | 4.55 kN |
| Fatigue load limit P_u | 0.212 kN |
| Calculation factor k_r | 0.02 |
| Calculation factor f_0 | 14.4 |
| Mass bearing | 0.051 kg |