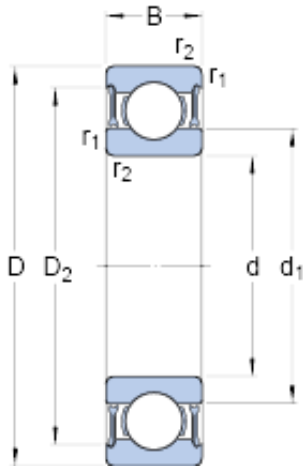




# BEARINGS(UK)LTD.



80 mm x 100 mm x 10 mm skf W 61816-2RZ  
Deep groove ball bearings

Bearing No. W 61816-2RZ

W 61816-2RZ Bearing 2D drawings and 3D CAD models

Size	100x80x10 mm
Bore Diameter	100 mm
Outer Diameter	80 mm
Width	10 mm
d	80 mm
D	100 mm
B	10 mm
d <sub>1</sub>	86.4 mm
D <sub>2</sub>	95.62 mm
r <sub>1,2</sub> - min.	0.6 mm
D <sub>a</sub> - max.	mm
r <sub>a</sub> - max.	0.6 mm
Basic dynamic load rating - C	11.1 kN
Basic static load rating - C <sub>0</sub>	14.3 kN
Fatigue load limit - P <sub>u</sub>	0.61 kN
Reference speed	13000 r/min
Limiting speed	6300 r/min
Calculation factor - k <sub>r</sub>	0.02
d <sub>1</sub>	86.4 mm
D <sub>2</sub>	95.62 mm
r <sub>1,2</sub> min.	0.6 mm
D <sub>a</sub> max.	0 mm
r <sub>a</sub> max.	0.6 mm
Basic dynamic load rating C	11.1 kN



## BEARINGS(UK)LTD.

Basic static load rating $C_0$	14.3 kN
Fatigue load limit $P_u$	0.61 kN
Calculation factor $k_r$	0.02
Calculation factor $f_0$	17.4