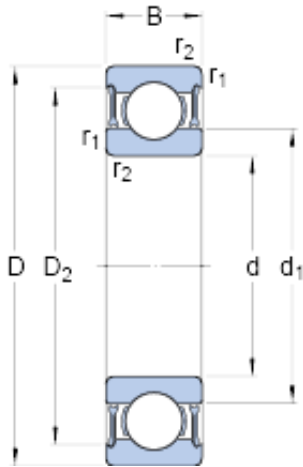




## BEARINGS(UK)LTD.



20 mm x 42 mm x 12 mm skf W 6004-2RZ Deep groove ball bearings

Bearing No. W 6004-2RZ

W 6004-2RZ Bearing 2D drawings and 3D CAD models

Size	42x20x12 mm
Bore Diameter	42 mm
Outer Diameter	20 mm
Width	12 mm
d	20 mm
D	42 mm
B	12 mm
d <sub>1</sub>	27.6 mm
D <sub>2</sub>	38.7 mm
r <sub>1,2</sub> - min.	0.6 mm
D <sub>a</sub> - max.	39 mm
r <sub>a</sub> - max.	0.6 mm
Basic dynamic load rating - C	8.1 kN
Basic static load rating - C <sub>0</sub>	5 kN
Fatigue load limit - P <sub>u</sub>	0.212 kN
Reference speed	38000 r/min
Limiting speed	19000 r/min
Calculation factor - k <sub>r</sub>	0.03
Calculation factor - f <sub>0</sub>	13.9
d <sub>1</sub>	27.6 mm
D <sub>2</sub>	38.75 mm
r <sub>1,2</sub> min.	0.6 mm
d <sub>a</sub> min.	24 mm
d <sub>a</sub> max.	27.5 mm



## BEARINGS(UK)LTD.

$D_a$ max.	39 mm
$r_a$ max.	0.6 mm
Basic dynamic load rating C	8.06 kN
Basic static load rating $C_0$	5 kN
Fatigue load limit $P_u$	0.212 kN
Calculation factor $k_r$	0.03
Calculation factor $f_0$	13.9
Mass bearing	0.064 kg