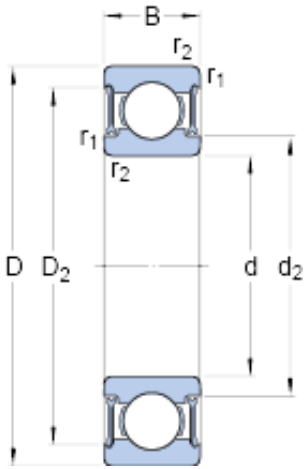




## BEARINGS(UK)LTD.

9 mm x 24 mm x 7 mm skf W 609-2RZ Deep groove ball bearings

Bearing No. W 609-2RZ



W 609-2RZ Bearing 2D drawings and 3D CAD models

Size	24x9x7 mm
Bore Diameter	9 mm
Outer Diameter	24 mm
Width	7 mm
d	9 mm
D	24 mm
B	7 mm
d <sub>2</sub>	12.1 mm
D <sub>2</sub>	20.48 mm
r <sub>1,2</sub> - min.	0.3 mm
D <sub>a</sub> - max.	22 mm
r <sub>a</sub> - max.	0.3 mm
Basic dynamic load rating - C	2 kN
Basic static load rating - C <sub>0</sub>	0.815 kN
Fatigue load limit - P <sub>u</sub>	0.036 kN
Reference speed	70000 r/min
Limiting speed	36000 r/min
Calculation factor - k <sub>r</sub>	0.03
Calculation factor - f <sub>0</sub>	7.5
d <sub>2</sub>	12.1 mm
D <sub>2</sub>	20.48 mm
r <sub>1,2</sub> min.	0.3 mm
d <sub>a</sub> min.	11 mm
d <sub>a</sub> max.	12 mm



## BEARINGS(UK)LTD.

$D_a$ max.	22 mm
$r_a$ max.	0.3 mm
Basic dynamic load rating C	2.03 kN
Basic static load rating $C_0$	0.815 kN
Fatigue load limit $P_u$	0.036 kN
Calculation factor $k_r$	0.03
Calculation factor $f_0$	7.5
Mass bearing	0.014 kg