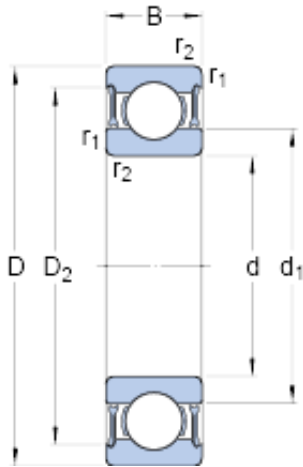




BEARINGS(UK)LTD.



30 mm x 47 mm x 9 mm skf W 61906-2RZ Deep groove ball bearings

Bearing No. W 61906-2RZ

W 61906-2RZ Bearing 2D drawings and 3D CAD models

Size	47x30x9 mm
Bore Diameter	47 mm
Outer Diameter	30 mm
Width	9 mm
d	30 mm
D	47 mm
B	9 mm
d ₁	35.1 mm
D ₂	44.05 mm
r _{1,2} - min.	0.3 mm
D _a - max.	45 mm
r _a - max.	0.3 mm
Basic dynamic load rating - C	6.2 kN
Basic static load rating - C ₀	5 kN
Fatigue load limit - P _u	0.212 kN
Reference speed	30000 r/min
Limiting speed	15000 r/min
Calculation factor - k _r	0.025
Calculation factor - f ₀	15.8
d ₁	35.1 mm
D ₂	44.08 mm
r _{1,2} min.	0.3 mm
d _a min.	32 mm
d _a max.	35 mm



BEARINGS(UK)LTD.

D_a max.	45 mm
r_a max.	0.3 mm
Basic dynamic load rating C	6.24 kN
Basic static load rating C_0	5 kN
Fatigue load limit P_u	0.212 kN
Calculation factor k_r	0.025
Calculation factor f_0	15.8
Mass bearing	0.047 kg