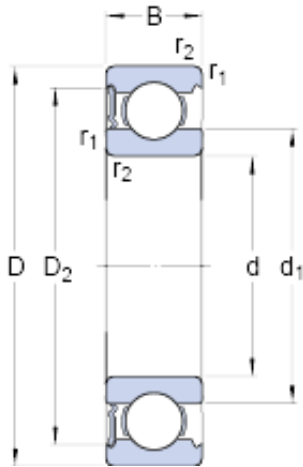




## BEARINGS(UK)LTD.



110 mm x 200 mm x 38 mm skf 6222-RS1 Deep groove ball bearings

Bearing No. 6222-RS1

6222-RS1 Bearing 2D drawings and 3D CAD models

Size	200x110x38 mm
Bore Diameter	200 mm
Outer Diameter	110 mm
Width	38 mm
d	110 mm
D	200 mm
B	38 mm
d <sub>1</sub>	138 mm
D <sub>2</sub>	176.7 mm
r <sub>1,2</sub> - min.	2.1 mm
d <sub>a</sub> - min.	122 mm
d <sub>a</sub> - max.	137 mm
D <sub>a</sub> - max.	188 mm
r <sub>a</sub> - max.	2 mm
Basic dynamic load rating - C	151 kN
Basic static load rating - C <sub>0</sub>	118 kN
Fatigue load limit - P <sub>u</sub>	4 kN
Limiting speed	2000 r/min
Calculation factor - k <sub>r</sub>	0.025
Calculation factor - f <sub>0</sub>	14
d <sub>1</sub>	138 mm
D <sub>2</sub>	176.7 mm
r <sub>1,2</sub> min.	2.1 mm
d <sub>a</sub> min.	122 mm



## BEARINGS(UK)LTD.

$d_a$ max.	137 mm
$D_a$ max.	188 mm
$r_a$ max.	2 mm
Basic dynamic load rating C	151 kN
Basic static load rating $C_0$	118 kN
Fatigue load limit $P_u$	4 kN
Calculation factor $k_r$	0.025
Calculation factor $f_0$	14.3
Mass bearing	4.49 kg