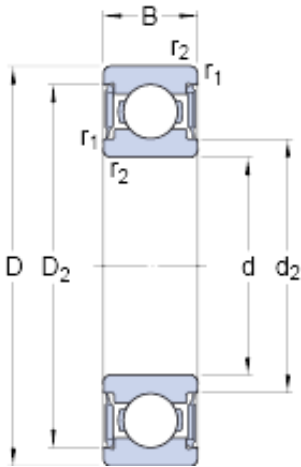




## BEARINGS(UK)LTD.



### 45 mm x 68 mm x 12 mm skf W 61909-2RS1 Deep groove ball bearings

Bearing No. W 61909-2RS1

W 61909-2RS1 Bearing 2D drawings and 3D CAD models

Size	68x45x12 mm
Bore Diameter	68 mm
Outer Diameter	45 mm
Width	12 mm
d	45 mm
D	68 mm
B	12 mm
d <sub>2</sub>	50.3 mm
D <sub>2</sub>	63.15 mm
r <sub>1,2</sub> - min.	0.6 mm
d <sub>a</sub> - min.	49 mm
d <sub>a</sub> - max.	52 mm
D <sub>a</sub> - max.	64 mm
r <sub>a</sub> - max.	0.6 mm
Basic dynamic load rating - C	14 kN
Basic static load rating - C <sub>0</sub>	10.8 kN
Fatigue load limit - P <sub>u</sub>	0.465 kN
Limiting speed	6000 r/min
Calculation factor - k <sub>r</sub>	0.025
Calculation factor - f <sub>0</sub>	15.9
Category	Single Row Ball Bearings
Inventory	0.0
Manufacturer Name	SKF
Minimum Buy Quantity	N/A



## BEARINGS(UK)LTD.

Weight / Kilogram	0
EAN	7316572472927
Product Group	B00308
Enclosure	2 Seals
Precision Class	ABEC 1   ISO P0
Maximum Capacity / Filling Slot	No
Rolling Element	Ball Bearing
Snap Ring	No
Internal Special Features	No
Cage Material	Stainless Steel
Enclosure Type	Contact Seal
Internal Clearance	C0-Medium
Inch - Metric	Metric
Long Description	45MM Bore; 68MM Outside Diameter; 12MM Outer Race Width; 2 Seals; Ball Bearing; ABEC 1   ISO P0; No Filling Slot; No Snap Ring; No Internal Special Features; C0-Medium Internal Clearance; Stainless St
Other Features	Deep Groove   NBR Seal
Category	Single Row Ball Bearing
UNSPSC	31171504
Harmonized Tariff Code	8482.10.50.68
Noun	Bearing
Keyword String	Ball
Manufacturer URL	<a href="http://www.skf.com">http://www.skf.com</a>
Weight / LBS	0.2756
Outside Diameter	2.677 Inch   68 Millimeter
Outer Race Width	0.472 Inch   12 Millimeter
Inner Race Width	0 Inch   0 Millimeter
Bore	1.772 Inch   45 Millimeter



## BEARINGS(UK)LTD.

$d_2$	50.3 mm
$D_2$	63.15 mm
$r_{1,2}$ min.	0.6 mm
$d_a$ min.	49 mm
$d_a$ max.	52 mm
$D_a$ max.	64 mm
$r_a$ max.	0.6 mm
Basic dynamic load rating C	12.1 kN
Basic static load rating $C_0$	10.8 kN
Fatigue load limit $P_u$	0.465 kN
Calculation factor $k_r$	0.025
Calculation factor $f_0$	15.9
Mass bearing	0.12 kg